

PRODUCT TECHNICAL SHEET

Collection : 1935

Ref. : 4535.11.42

Mitigeur mural à encastrer

Eéngreepsmengkraan voor wandmontage

Concealed wall-mounted single-lever mixer

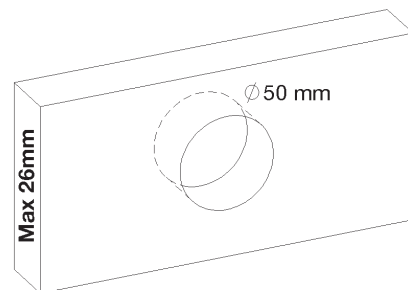
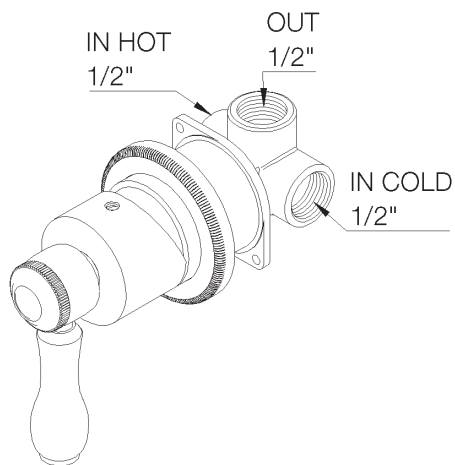
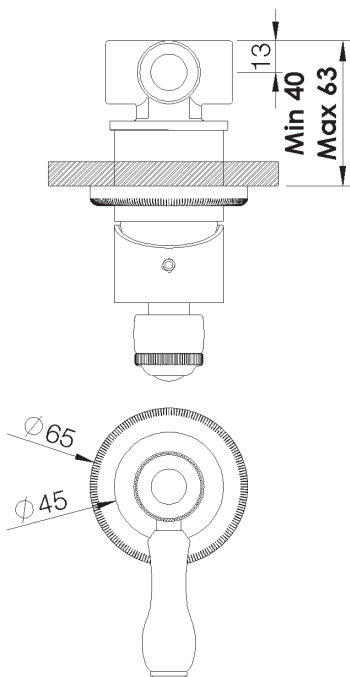
Picture

Product details



Internal mechanism : Mixer ceramic cartridge (90°)

Technical drawing



RA1.V01